

High Resolution Colour Pin Hole Camera

PH36SN-K



Key Features

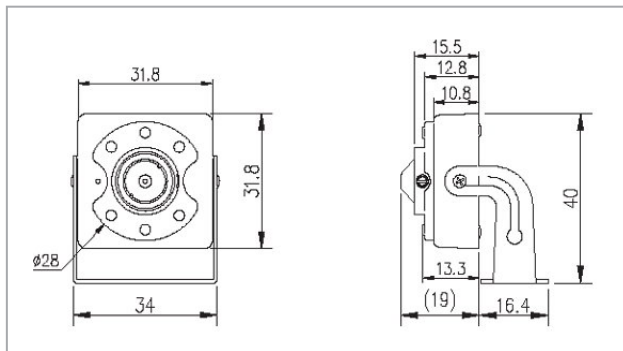
- 1/3" SONY SuperHAD CCD
- Standard Resolution 420 TV Lines
- 3.7mm Conical Pin Hole Lens
- High Anti-Blooming
- 0.1 Low Lux
- Super mini size: 30mm (W) x 30mm (H) x 27mm (L)
- Made in Korea

Specifications

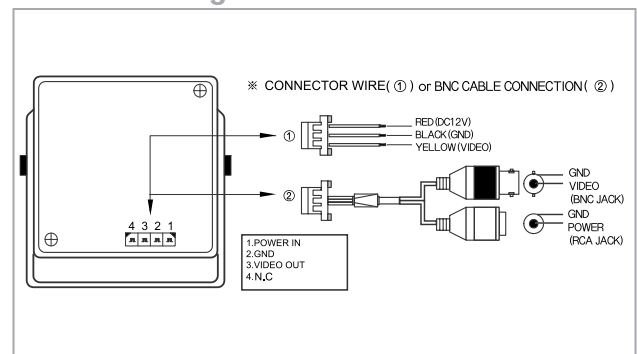
Brand	TANDER
Model	PH36SN-K
Image Pick-up Device	1/3" SONY Super HAD CCD
Signal System	PAL
Total /Effective Pixels	537(H)x 597(V) 320K
Scanning System	2 : 1 Interlace
Lens	3.7 mm Conical Pin Hole Lens
Scanning Frequency	50Hz(VD)
Resolution	420 TV lines
Video Output	CVBS : 1.0Vp-p / 75Ω
S / N Ratio	More than 48dB
Min. Illumination	0.1Lux
Sync. System	Internal
Signal Process	Digital Signal Processing
Back Light Compensation	Built-in
Gain Control	Auto
Electronic Shutter Speed	Auto / (1/50 ~ 1/100,000)
White Balance	Auto
Power Source	12V DC ±10%
Power Consumption	Max. 140mA (@ DC 12V)
Monitoring Angle	Panning : Manual 0° ~ 340° / Tilting : Manual 30° ~ 90°
Operating Temperature	-10°C ~ +50°C
Operating Humidity	0% ~ 80% RH
Dimension	30(W) x 30(H) x 27(L) mm
Weight	50g
Country Of Origin	Korea

Dimensions

(UNIT: mm)



Connection Diagram



*Spec may change without prior notice

TANDER®